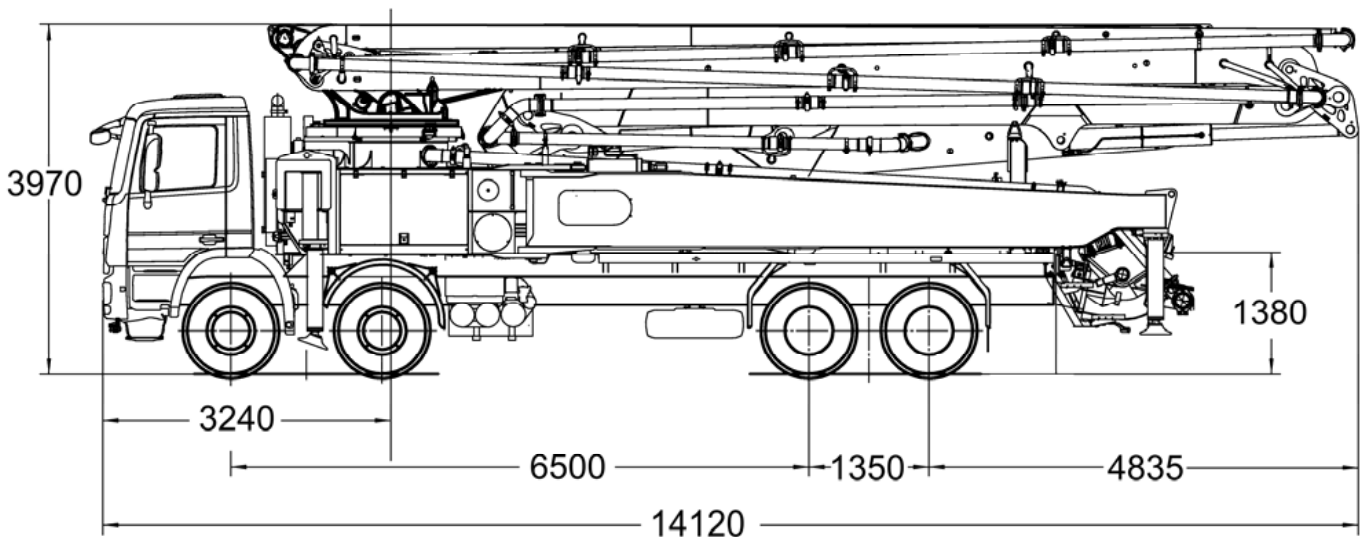
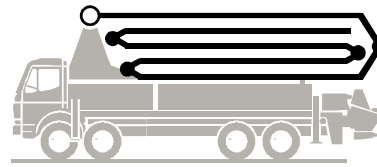


# Truck-mounted concrete pump

## BSF 56-5.16 H

### .16 H LS

Output up to 160 m<sup>3</sup>/h  
 Delivery pressure up to 130 bar\*



Note: Standard version. Dimensions and weights depend on truck, pump model and equipment.  
 Dimensions in mm, MB-Actros 4640 B, Euro 2.  
 For illustration only.

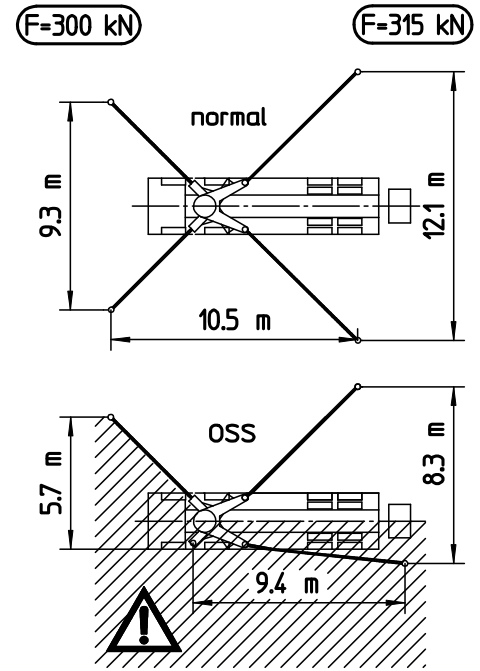
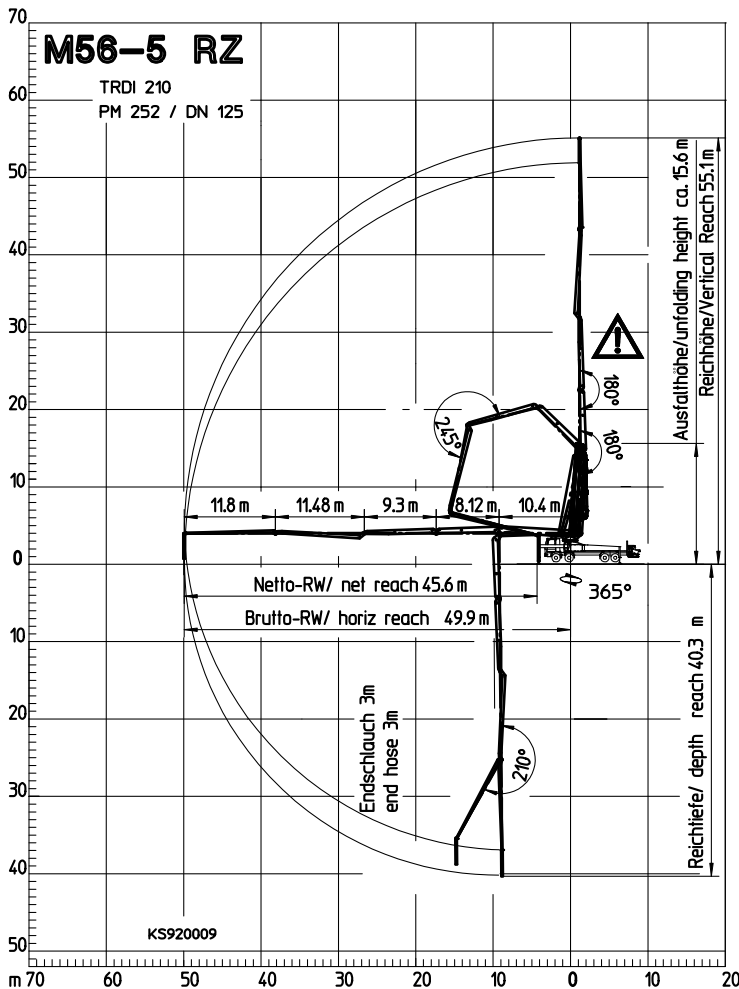
## Technical data

Boom M 56-5		
Sections		5
Reach height	m	55.1
Horizontal reach	gross	m 49.9
	net	m 45.6
Reach depth max.	m	40.3
Unfolding height	m	15.6
End hose length	m	3
Folding system		RZ
Delivery line		DN 125


Pump		BSF	.16 H	.16 H LS
Rod side	Output	m <sup>3</sup> /h	160	-
	Delivery pressure	bar	85	-
	Strokes	1/min.	31	-
Piston side	Output	m <sup>3</sup> /h	108	160
	Delivery pressure	bar	130*	85
	Strokes	1/min.	21	26
	Delivery cylinder	Ø mm	230	250
	Stroke	mm	2100	2100

\*) Delivery line boom max. 85 bar.  
 All data maximum theoretical.

## Reach information diagram, Support



Dimensions can differ depending on configuration.

 Range in which you must not work with the end hose.

## Serial delivery scope

Agitator and water pump radio remote/on site controlled	Ergonic Pump System (EPS) incl. Ergonic Output Control (EOC)	Steps, first step foldable
Agitator safety switch off, RFID with startup protection	Flushing water pump 160 l/min 25 bar	S-transfer tube switchover fast/slow
Box for sponge balls	Hinged elbow with cleaning port	Support plates (4 x) in magazine (2 x) open
Cardan shaft maintenance free	Hydraulic hose for replacement in hose pack	Swivel support plates
Central lubrication hopper, electrically	Lighting modul control box LED	Tool set incl. standard equipment
Chassis horn via remote control on hopper	Operating manuals 2 x (1 x paper, 1 x CD-ROM) spare part list	Towing eye
Concrete hopper RS 909 with agitator	OSS one side support (assistance device) not EEA countries	Wash-out port lid with slide pin
Connections for hydraulic emergency supply	Platform non-skid	Water supply, hopper (1/2')
C-pipe connection for filling water tank	Pump on/off dependent on speed	Water tank 800 l
Delivery cylinder chrome-plated	Radio remote control proportional with display	Working light for illumination of hopper, detachable
Delivery line (2-layer) PM2520, arm assembly	Remote control without display with 40 m cable	
Delivery piston 'compact' (16 H), 'single' (16 H LS)	Rubber collar on concrete hopper	
Diagnose interface	Spectacle wear plate DURO 22	
End hose 3,0 m DN 125, 5,5"	Splash guard foldable	
Ergonic Graphic Display (EGD) with machine fault management	Spray hose 10 m incl. bracket	

See quotation for exact serial delivery scope.  
Comprehensive range of options available on request.